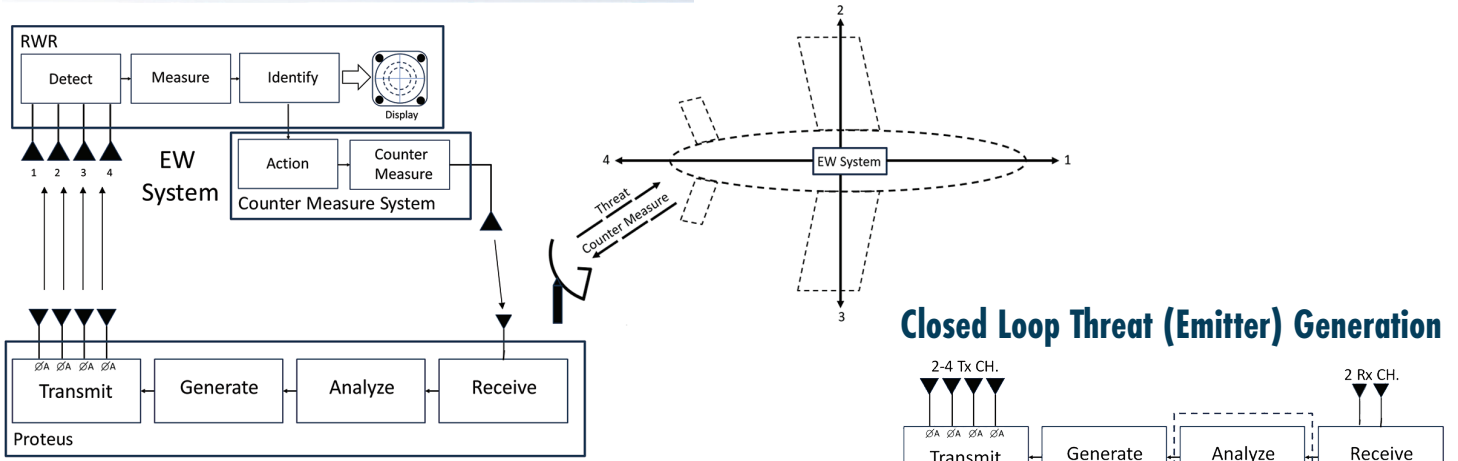


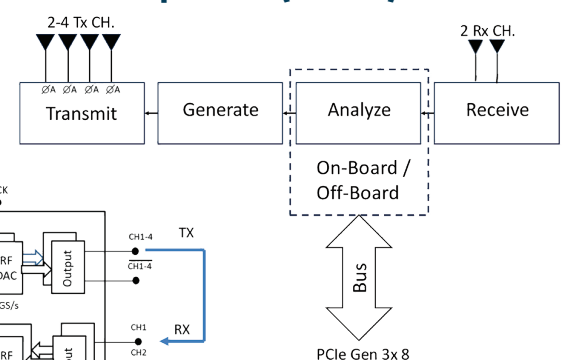
RADAR/EW Test and Evaluation Tools – Proteus Arbitrary Waveform Transceiver



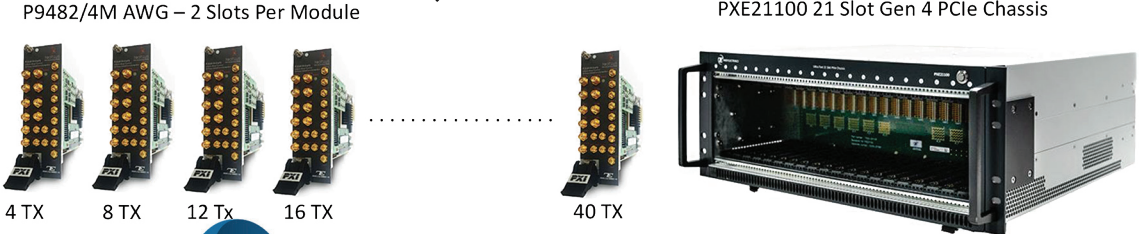
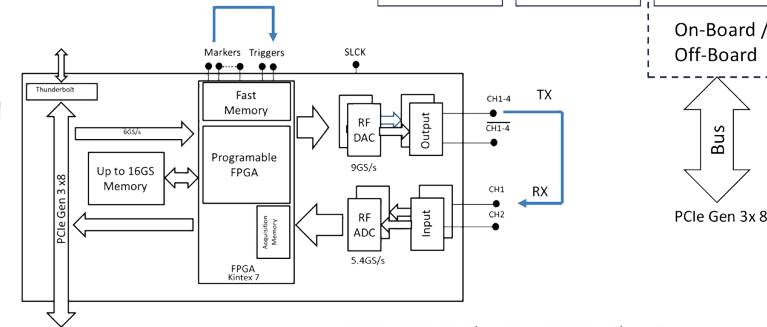
- Simultaneous Multiple Emitters
- Broad Frequency Range for Threat/Emitter Set
- Wide IBW (Hop sequence or LFM Bandwidth)
- Frequency Coherence (Pulse to Pulse)
- Accurate pulse emulation (Rise, Fall, Peak, Droop, etc.)
- Mode Emulation (Long PRI, Short PRI, LFM, etc.)
- Multi-channel pulse timing alignment and programmability (AOA)



Closed Loop Threat (Emitter) Generation



Modular and scalable from one Emitter to hundreds



Simulate, Stimulate, Test...